

Wavin Comfia Actuator: 24 V Standard

Product Information

The **Wavin Comfia Actuator: 24 V Standard** is a thermoelectric actuator for opening and closing valves and small valves on heating circuit distributors of surface heating and cooling systems. The predominant area of application is the energy-efficient room-by-room temperature control in the area of building services and automation. The Wavin Comfia Actuator 24 V Standard is controlled by a 24 V room thermostat with two-point output or pulse-width modulation.

The Wavin Comfia Actuator of the 5th generation has been specially developed for the customer specific use in Wavin Comfia. The modular structure offers diverse differentiation possibilities for customer-specific designs.



1.1 Features

- Modern design
- Travel path 4.0 mm
- “Normally closed” (NC)
- Power consumption 1 watt
- Complete compatibility to the valve adapter system
- Simple plug-in installation
- 360° installation position
- Patented 100% protection in case of leaky valves
- “First open” function
- Adaptation check on the valve
- Alignment aid on the valve
- Compact size, small dimensions
- All around function display
- Noiseless and maintenance-free
- High functional safety and long expected service life
- Certified by the TÜV

1.2 Variants

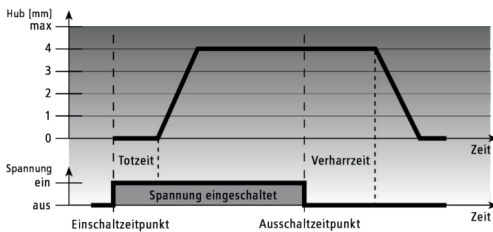
The Wavin Comfia Actuator is delivered in a neutral design without logo with fixed connection cable, function display blue/grey, without valve adapter and laser marking.

24 V types*:	Stroke	Closing force	Control direction	Running times OPEN / CLOSED	“First Open” function	Scope of supply
A 40405-00N	4.0mm	100 N	NC	approx. 3.5min	yes	<ul style="list-style-type: none"> • Wavin Comfia Actuator 24 V in individual packaging • 1m connection line, grey PVC H03VV 2 x 0.75mm² • Installation instruction in 12 languages

2 Function

The actuator mechanism of the Wavin Comfia Actuator uses a PTC resistor-heated elastic element and a compression spring. The elastic element is heated by applying the operating voltage and moves the integrated plunger. The force generated by this movement is transferred to the plunger, thus opening or closing the valve.

2.1 Version NC: Normally closed (valve closed)



In case of the normally closed version, the valve is opened steadily by the plunger motion upon switching on the operating voltage and after expiry of the dead time.

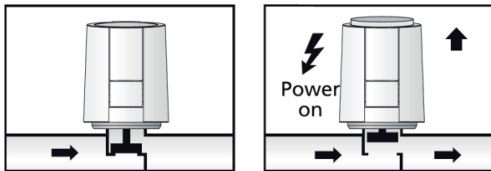
After the operating voltage is cut and after expiry of the hold time the valve is closed evenly by the closing force of the compression spring.

The closing force of the compression spring is matched to the closing force of commercially available valves and keeps the valve closed when de-energised.

Figure: Example with respect to the travel path of 4mm. The characteristic curve of the travel path of 5mm is the result.

2.2 Function display

The function display (all around display) of the Wavin Comfia Actuator shows at the first glance whether the valve is open or closed; this can also be felt in the dark.



- For the version **NC: Normally closed** extracts the function display when the valve opens.

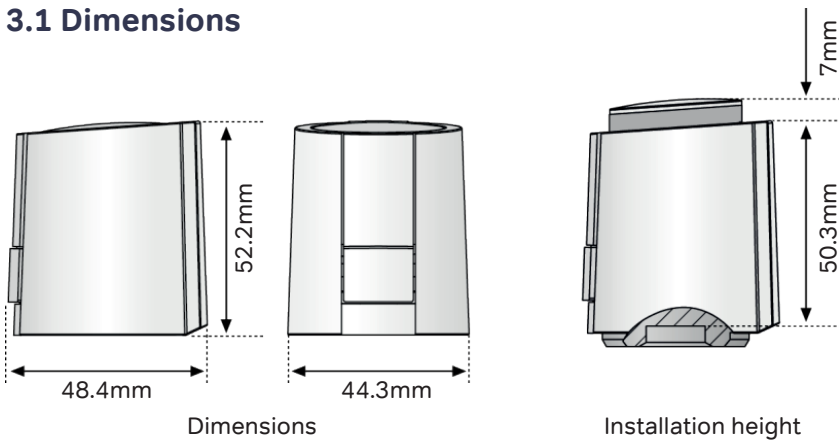
2.3 “First Open” function (for NC variants only)

In its delivery condition, the Wavin Comfia Actuator is normally open due to the “First Open” function. This enables heating operation during the carcass construction phase even when the electric wiring of the room-by-room temperature control is not yet complete. When commissioning the system at a later date, the “First Open” function is automatically unlocked by applying the operating voltage (for more than 6 minutes) and the actuator is fully operable.

3 Technical data		
Voltage		24 V AC/DC, +20%...-10%
Max. inrush current		< 300 mA during max. 2min.
Operating power		1W ¹⁾
Stroke		4.0 / 5.0mm
Actuation force		100 N +5 %
Fluid temperature		0 to +100 °C ²⁾
Storage temperature		-25 °C to +60 °C
Ambient temperature		0 to +60 °C
Protection class		III
Degree of protection		IP 54 ³⁾
CE conformity according to		EN 60730
Casing	Material	Polyamide
	Colour	Light grey (RAL 7035)
Connection line	Type	2 x 0.75 mm ² PVC
	Colour	Light grey (RAL 7035)
	Length	1m
Weight with connection cable (1 m)		100g
Surge strength according to EN 60730-1		2.5kV

1) measured with precision power meter LMG95
 2) or higher, depending on the adapter
 3) in all installation positions

3.1 Dimensions



3.2 Certificates



The Wavin Comfia Actuator is certified by TÜV Süd

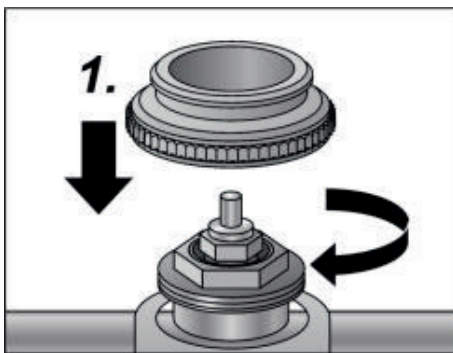


The EU Directive 2012/19/EG controls the return and the environment-compatible disposal of electric and electronic devices.

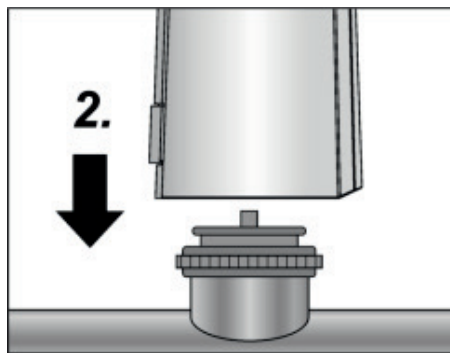
4 Installation notes

4.1 Installation with valve adapter

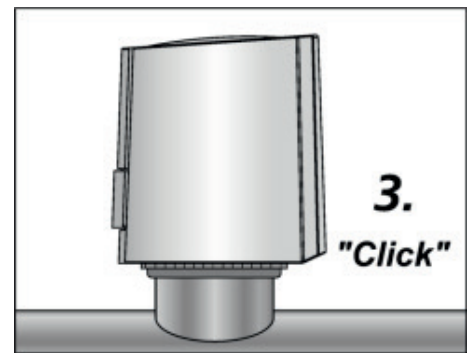
The valve adapter assortment guarantees a perfect match of the actuator to almost all valve bottoms and heating circuit distributors available on the market. The Wavin Comfia Actuator is simply plugged on to the valve adapter previously installed manually.



Screw the valve adapter manually onto the valve.

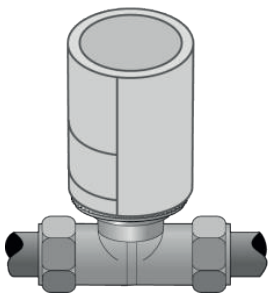


Position the Wavin Comfia Actuator manually in vertical position to the valve adapter.

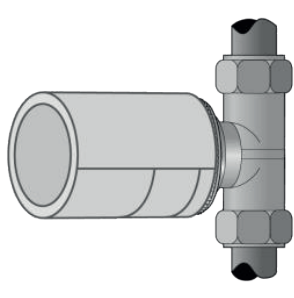


Latch the Wavin Comfia Actuator to the valve adapter by manually applied vertical pressure until a clicking sound is heard.

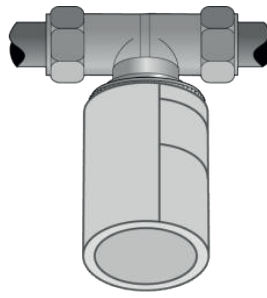
4.2 Installation position



vertical



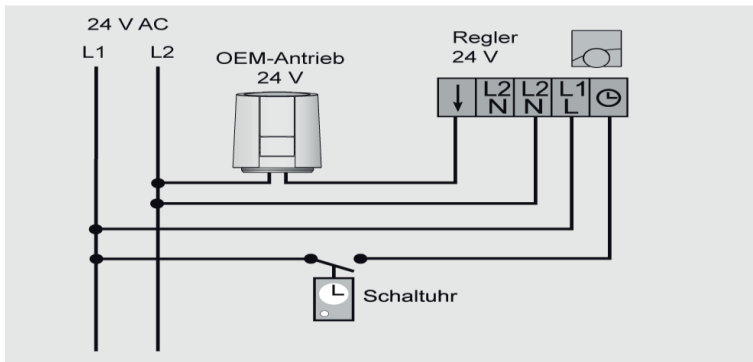
horizontal



“overhead”

The Wavin Comfia Actuator must be installed preferably in vertical or horizontal installation position. In case of “overhead” installation, special circumstances (e.g. drainwater) can reduce the lifetime of the actuator.

4.3 Electric connection



Cable

We recommend the following cable lengths for installing a 24 V system:

Cable	Section / diameter	Length
J-Y(ST)Y	0.8 mm	45 m
NYM / NYIF	1.5 mm ²	136 m

Transformer/power supply

A safety isolating transformer according to EN 61558-2-16 (for the AC variant) or a switching power supply according to EN 61558-2-16 (for DC variant) must always be used.

The dimensioning of the transformer or the switching power supply results from the making capacity of the Wavin Comfia Actuators:

Rule-of-thumb formula: $P_{\text{transformer}} = 6 \text{ W} \times n$
 n = number of Wavin Comfia Actuators